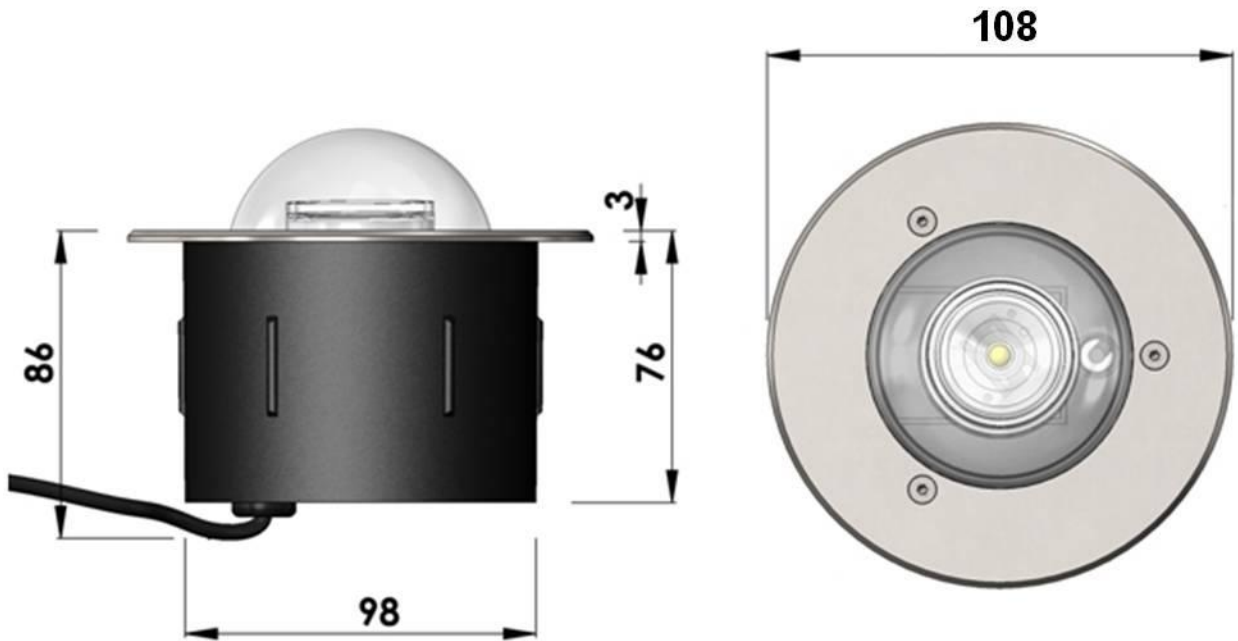


# FISH EYE Ø100 (WW)



<b>LIGHT SIZE</b>	MEDIUM
<b>FIXTURE TYPE</b>	INTEGRATED
<b>LIGHT COLOUR</b>	WARM WHITE
<b>LIGHT ANGLE (°)</b>	55
<b>OPTIMUM RANGE (M)</b>	2,5
<b>LUX</b>	123
<b>LIGHT TEMPERATURE (K)</b>	3000
<b>CRI (Colour Rendering Index)</b>	85
<b>IP CLASS</b>	67
<b>EXTERNAL TEMP. (IN OPERATION) (°C)</b>	<50
<b>VOLTAGE</b>	12V AC
<b>COMMUNICATED CONSUMPTION (W)</b>	5
<b>EFFECTIVE CONSUMPTION (W)</b>	4,1
<b>DRIVE-OVER (when installed)?</b>	N
<b>EST'D. LIGHT SOURCE LIFETIME (hours)</b>	25000
<b>WHEN USED 4 HOURS/DAY (in years)</b>	17,125